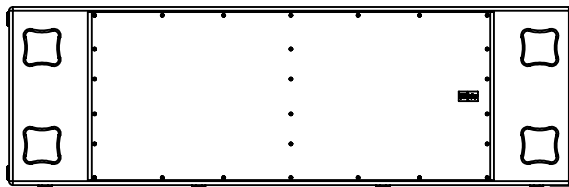
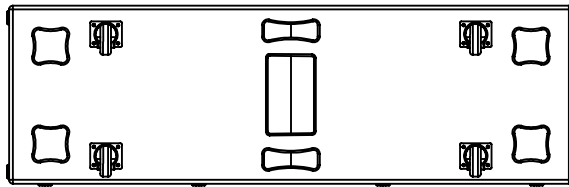


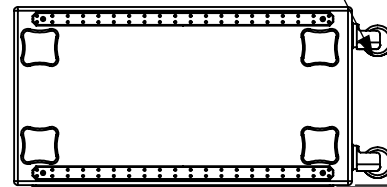
NOTES:  
 A. CABINET WEIGHT 486LBS [220.41KG]

|      |      | REVISIONS   |      |          |  |
|------|------|-------------|------|----------|--|
| ZONE | REV. | DESCRIPTION | DATE | APPROVED |  |
|      |      |             |      |          |  |
|      |      |             |      |          |  |

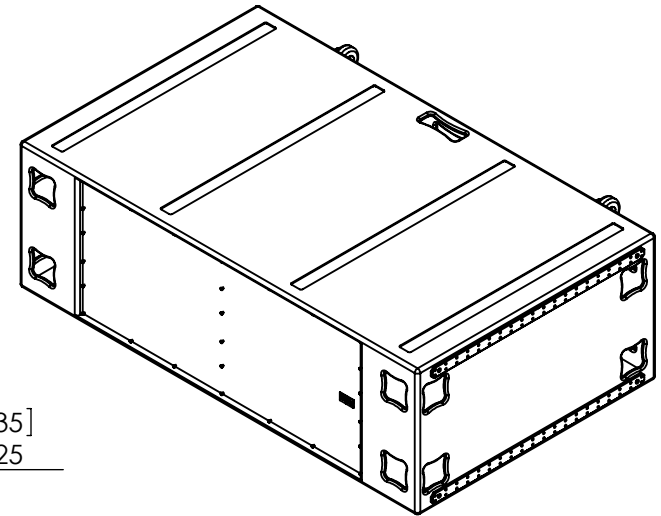


[595.50]  
23.45

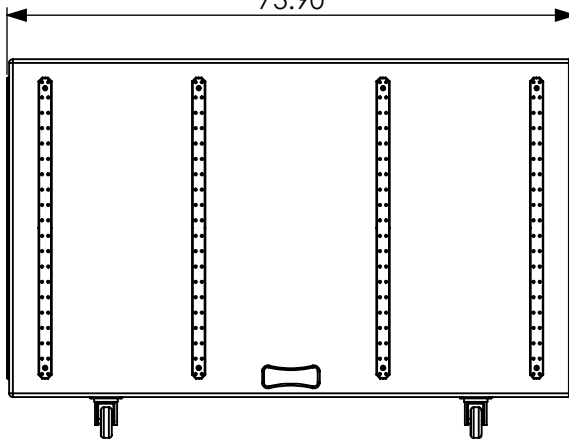
4.0" Swivel Castors



[6.35]  
0.25

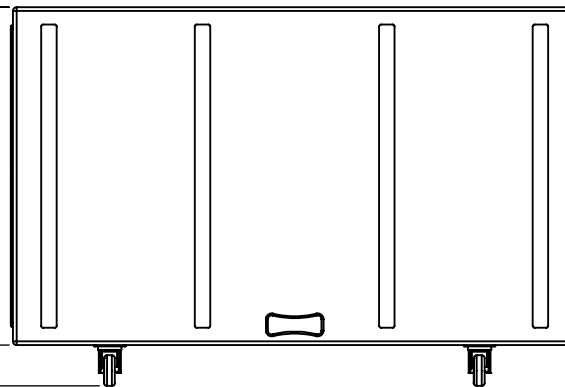


[1877.06]  
73.90



[1117.60]  
44.00

[1252.99]  
49.33



PRIMARY UNITS US CUSTOMARY  
 SECONDARY UNITS SI  
 TOLERANCES:  
 LINEAR:  $\pm 0.125"$  UCS,  $\pm 3.17E-3$  m SI  
 ANGULAR:  $\pm 0.1^\circ$   
 BEND  $\pm 0.5^\circ$   
 WEIGHT:  $\pm 0.1$  lb UCS, BY MASS  $\pm 0.045$  kg SI

|         | NAME | DATE   |
|---------|------|--------|
| DRAWN   | RM   | 030310 |
| CHECKED | RM   | 030310 |

**PROPRIETARY AND CONFIDENTIAL**  
 THE INFORMATION CONTAINED IN THIS DRAWING IS THE SOLE PROPERTY OF **McCauley Sound Inc.** ANY REPRODUCTION OF SAID PRODUCT, IN PART OR AS A WHOLE WITHOUT THE WRITTEN PERMISSION OF **McCauley Sound Inc.** IS PROHIBITED.

STANDARD FINISH  
**Black ProCoat**  
 OPTIONAL FINISHES  
**White**  
 ORDERING OPTIONS

**McCauley Sound Inc.**

16607 Meridian Ave E  
 Puyallup, WA 98375  
 (ph 253-848-0363) (fax 253-841-3050)  
 www.mccauleysound.com  
 www.linearray.com

| SIZE     |                                   | REV.     |
|----------|-----------------------------------|----------|
| <b>A</b> | M421 Architectural Specifications | <b>1</b> |